 Swedish Innovation, Quality & Design



Pure Performance through Aqua Power™ Technology

C6



High performance utensil, pot & pan washer

NOR:DISK
CLEAN SOLUTIONS



BELIM INDUSTRIES LTD
PREMIUM PARTNER
FOR BALKAN REGION

Pure Performance™ through Aqua Power™

- + triple the power
- + twice the wash result
- + easy to use

Aqua Power Technology masters the flow, pressure, and shape of water for a blasting cleaning effect on pots, pans, and utensils.

Combined with a small amount of detergent and secured temperatures it washes hygienically clean in a matter of minutes, offering superior wash results with a minimum use of time and resources.

An easy, sustainable, and economical pot washing solution that minimizes pre-washing.

Triple the power

Aqua Power offers up to triple the wash power compared to traditional pot and utensil washers on the market.

Through clever engineering it creates the perfect washing conditions by combining the right size tank, pump, and nozzles which releases the full cleaning potential in regular water.

Twice the wash result

Aqua Power cancels out the majority of pre-soaking and scrubbing needs and delivers twice the wash result in half the time, compared to the market's leading brands of water-based pot washers.

This saves time for the operator and boosts productivity in the entire ware washing process.

Easy to use

Aqua Power is designed to be easy for anyone to use; just load items and push the button. It doesn't get much easier than that!

The operating panel offers two efficient wash programs, and favors symbols and infographics for a plug & play solution. No need for extensive or repetitive operator trainings.

C6 Aqua Power™

Minimize pre-washing – boost productivity

Convincing test results:

Clean in 2:30 minutes
without pre-washing

C6 Aqua Power

Aqua Power™ Technology
150 seconds



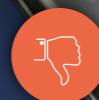
Leading brand #1

Regular water-based
pot/pan washer
150 seconds



Leading brand #2

Regular water-based
pot/pan washer
150 seconds



Laboratory testing of common ware washers. A mixture of food was baked onto GN trays in 160 °C for 45 minutes, then washed in each model's standard wash cycle for 150 seconds.



Less chemicals

Saves on average 1.3 litres per day, adding up to 390 litres per year.



Less water

Saves on average 936 litres per day, adding up to 280,000 litres per year.



Less energy

Saves on average 35 kWh per day, adding up to 10,500 kWh per year. Add EcoExchanger® to save even more.



Less time

Cleans your pots and pans in 2 min. 30 sec* without pre-washing.



More user-friendly – less operator training

- + Control panel in eye-level
- + 2 wash programs
- + Large clear buttons and symbols
- + Red/green operating lamps for remote status reading
- + View wash and rinse temperatures in the display
- + Integrated USB port for easy export of HACCP log files



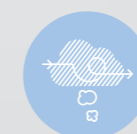
Ergonomic

The fold-out hatch also acts as a built-in loading table for the Pro Wash Basket, offering quick loading and unloading and avoids heavy lifting. Add more baskets and trolleys for added speed, flexibility and further optimized working conditions.



Food safety

Wash programmes comply with the hygiene guidelines of the EN 17735:2023 standard.



Steam reduction or EcoExchanger® ?

Steam reduction is included in standard delivery. EcoExchanger® on the other hand is an optional add-on, and cleverly combines steam reduction and heat recovery in one. Improves the working environment and saves up to 40% of the energy needed for heating the rinse tank.

Plug & Play Standard Delivery

Included:

- ✓ 3ph, 400–415V, 50Hz, 16.5kW, 32A
- ✓ Steam reduction
- ✓ Type AB airgap according to EN1717
- ✓ Integrated dosing with peristaltic pumps for rinse aid and liquid detergent
- ✓ USB port for easy export of HACCP logs
- ✓ Pro Wash Basket (1 pc)
- ✓ Scraper (1 pc)

Optional add-ons:

- + Other voltage options
- + EcoExchanger
- + GD Link
- + Marine Edition
- + Related accessories

* Optional EcoExchanger will add 60 seconds to the cycle duration.
The savings calculations are based on a sample site preparing 1,000 hot meals per day and 300 operational days per year. The comparison features manual washing in sinks compared to washing in C6: 50% Short, 50% Normal wash cycle.



Unique productivity with Pro Wash Basket

This multi-purpose round wash basket offers loading possibilities for Gastronorm containers, pots and pans, as well as grids, baking sheets, and cutting boards. The net basket insert holds whisks, ladles, spoons and other smaller utensils.

Supports up to 6 GN 1/1, 65 mm deep, or 2 GN 2/1 up to 100 mm, or 12 GN 1/4, 1/6, 1/9 and a multitude of similar items.



Smart detachable and movable utensils holder.

How it works:



Related accessories

Increase capacity, speed up flow, and make kitchen life easier by adding a basket trolley and extra baskets to your C6 Aqua Power.



Explore accessories:



C6 Aqua Power – technical specifications

General

Design	Frontloaded ware washer with rotating wash basket
Outer dimensions (H x W x D)	1,736/2,079 (± 25) x 1,025 x 957/1,317 mm
Loading volume	220 litres (ø 700 mm x H 570 mm)
Weight (filled / empty)	354 kg / 238 kg
Wash tank volume	108 litres
Rinse water volume	6 litres
Wash water temperature	65 °C
Rinse water temperature	85 °C
Sound pressure level	< 70 dB (A)

Programs & capacity

Wash programs	Short: 2 min, 30 sec / Normal: 4 min
Max. / normal capacity per hour (normal capacity incl. handling)	Standard Edition: 144 / 108 GN1/1 or similar in other pots
Capacity per program	6 GN1/1 or GN 1/2 65 mm depth or 3 GN1/1 or GN 1/2 up to 200 mm depth, and 3 GN1/1 or GN 1/2 up to 65 mm depth, or similar in other pots.

Electrical connection

Voltage	3~ 400-415 V/50 Hz 3~ 400-415 V/60 Hz
Fuses (at output 11.5 kW)	25 A (400 V, 415 V)
Fuses (at output 16.5 kW)	32 A (400 V, 415 V)
Max output (water inlet 55-65 °C)	11.5 kW
Max output (water inlet 5-65 °C)	16.5 kW
Wash pump motor	2.2 kW
Rinse pump motor	0.11 kW
Heater wash tank*	9 kW at output 11.5 kW (14 kW at output 16.5 kW)
Heater rinse tank*	9 kW at output 11.5 kW (14 kW at output 16.5 kW)
Enclosure rating	IPX5

Water connection

Hardness/Connection	Total hardness: 3-7 °dH, 5-12 °TH, 53-125 PPM / ¾" BSP male (DN20) <i>Note: Reverse osmosis/distilled water must not be used.</i>
Connection A	11.5 kW unit: 1-6 bar, 15 l/min, 55-65 °C 16.5 kW unit: 1-6 bar, 15 l/min, 5-65 °C
Connection F	11.5/16.5 kW w. steam reduction: 3-6 bar, 15 l/min, < 20 °C
Connection F (EcoExchanger, option)	16.5 kW with Eco Exchanger: 1-6 bar, 15 l/min, < 20 °C

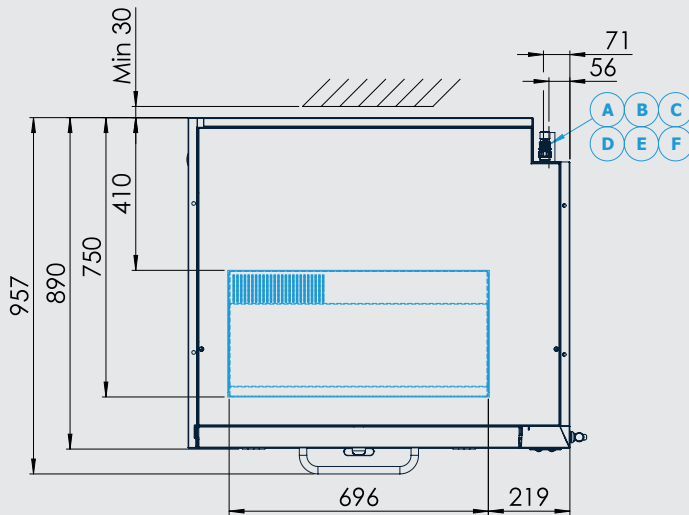
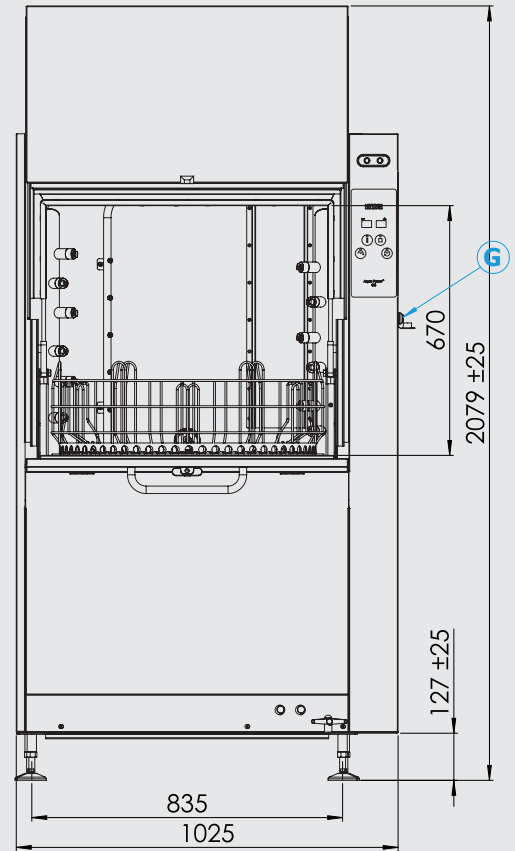
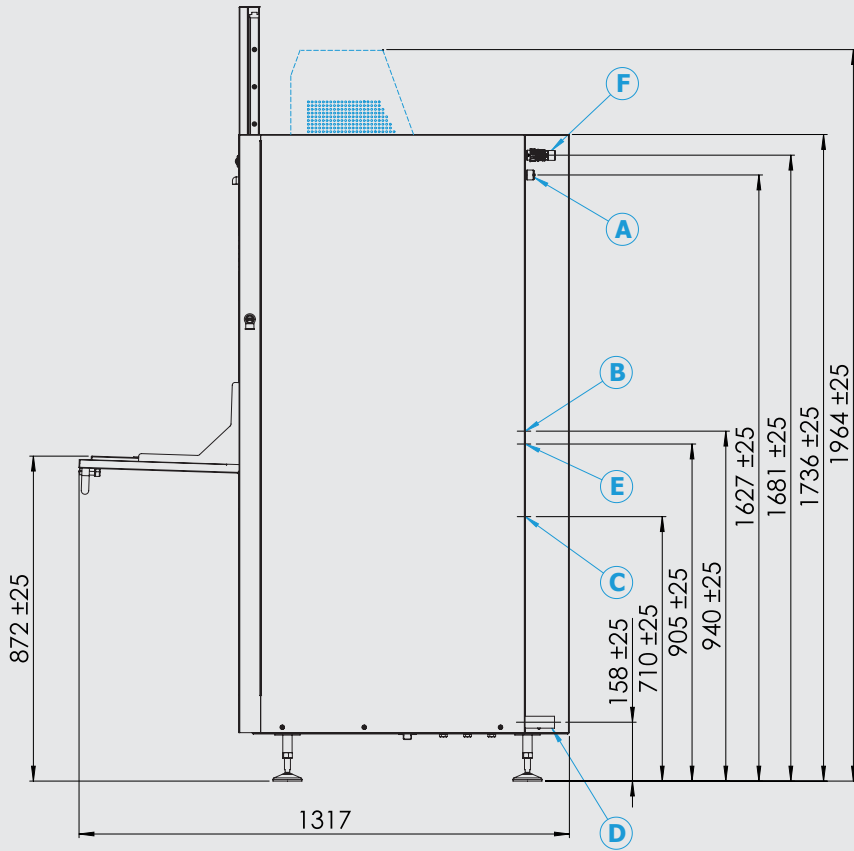
Drain & ventilation

Ventilation with steam reduction	200 m³/h
Ventilation without steam reduction	500 m³/h
Ventilation with EcoExchanger®	100 m³/h
Heat emitted to room with steam reduction (total/sensible/latent)	1.7 kW / 0.8 kW / 0.9 kW
Heat emitted to room without steam reduction (total/sensible/latent)	2.4 kW / 0.8 kW / 1.6 kW
Heat emitted to room with EcoExchanger® (total/sensible/latent)	1.3 kW / 0.8 kW / 0.5 kW
Drainage pipe	Pipe ø 32 mm
Drain	Capacity requirement 50 l/min. No drain pump, gravity drain. <i>The machine must not be placed directly over a drain.</i>
Detergent and rinse aid	Required. 230 VAC signal is available from a separate box. Max load total 0.5 A.

* Not in use simultaneously.

C6 Aqua Power – technical drawings

(mm)



- (A) (F) Water inlet
- (B) (E) Detergent/rinse aid
- (C) Electrical
- (D) Drain
- (E) USB port

NOR:DISK
CLEAN SOLUTIONS

www.nordiskclean.com

Authorized Premium Partner



BELIM INDUSTRIES LTD
BELGRADE
PREMIUM PARTNER
FOR BALKAN REGION

Street: Svetozara Miletica 16, 11000 Belgrade, Serbia
Phone: +381 (0)11 92 517; +381 (0)11 33 92 646
Mobile phone: +381 (0)64 120 78 22
e-mail: office@belim.net
www.belim.net